

**Rondalyn® Countertop Sink**

- Made from vitreous china
- Self-rimming with cutout template supplied
- Front overflow
- Faucet ledge

- 0490.011** Faucet holes on 8" (203mm) centers (illustrated)
- 0491.019** Faucet holes on 4" (102mm) centers



**Nominal Dimensions:**

486mm (19-1/8") Round

**Bowl sizes:**

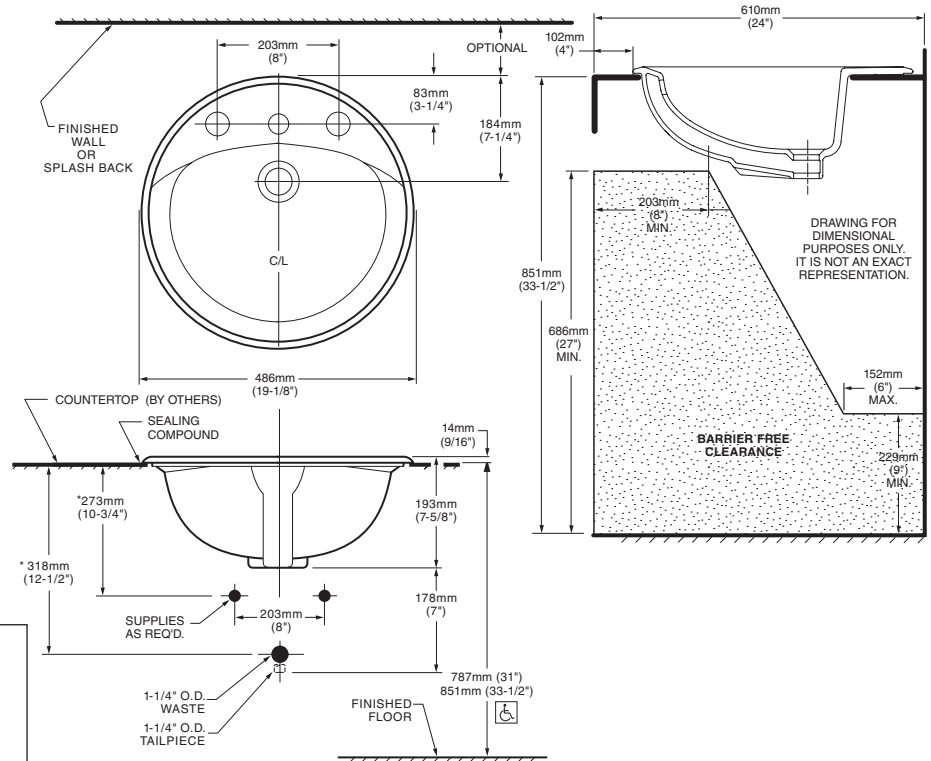
381mm (15") wide

308mm (12-1/8") front to back

146mm (5-3/4") deep

**Compliance Certifications -  
Meets or Exceeds the  
Following Specifications:**

- ASME A112.19.2M for Vitreous China Fixtures



**To Be Specified:**

- Color:  White  Bone  Linen
- Faucet\*:
- Faucet Finish:
- Supplies:
- 1-1/4" Trap:


\* See faucet section for additional models available

**SEE REVERSE FOR ADDITIONAL ROUGHING-IN DIMENSIONS**

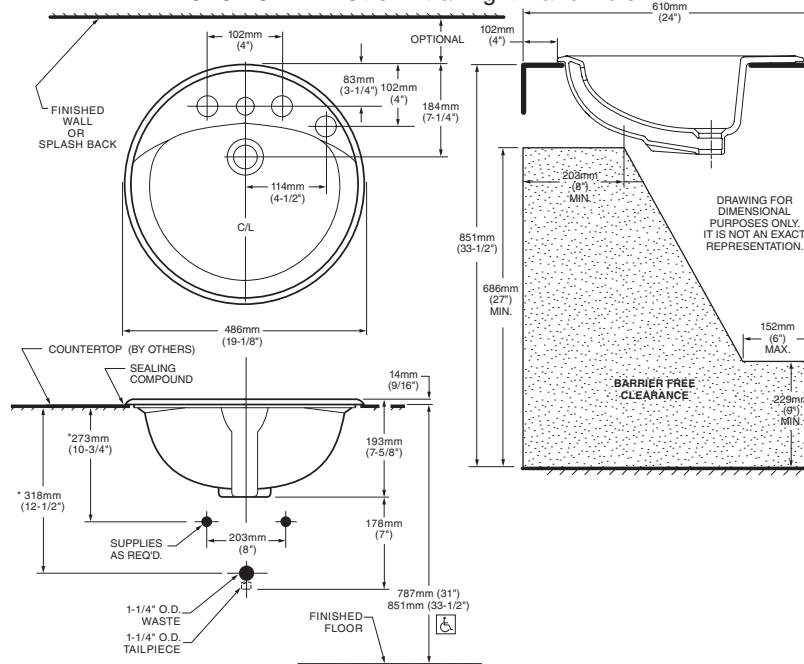
**NOTES:**

\* DIMENSIONS SHOWN FOR LOCATION OF SUPPLIES AND "P" TRAP ARE SUGGESTED. FOR COUNTERTOP CUTOUT AND INSTALLATION INSTRUCTIONS USE TEMPLATE SUPPLIED WITH SINK. FITTINGS NOT INCLUDED WITH FIXTURE AND MUST BE ORDERED SEPARATELY. SEALING COMPOUND SUPPLIED BY OTHERS.

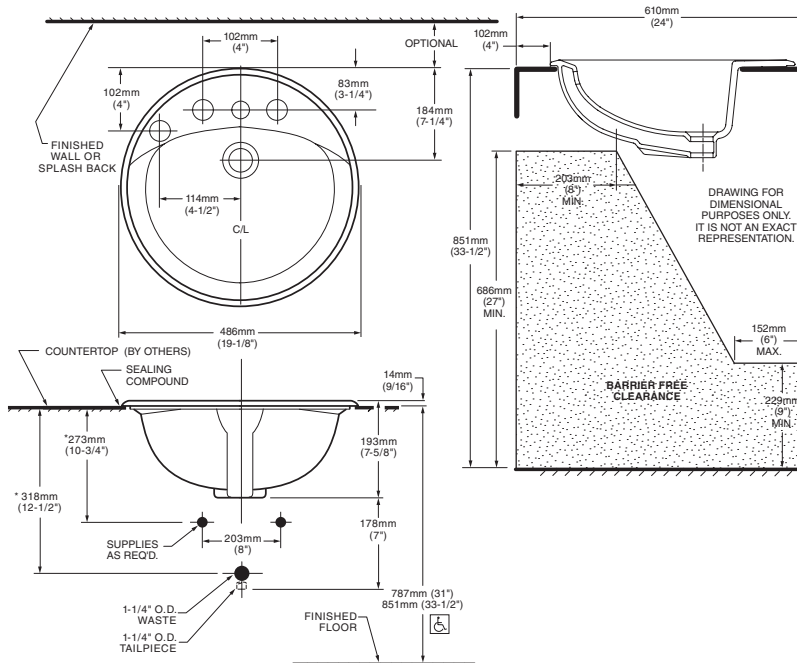
**IMPORTANT:** Dimensions of fixtures are nominal and may vary within the range of tolerances established by ANSI Standard A112.19.2. These measurements are subject to change or cancellation. No responsibility is assumed for use of superseded or voided pages.

 **MEETS THE AMERICANS WITH DISABILITIES ACT GUIDELINES AND ANSI A117.1 ACCESSIBLE AND USABLE BUILDINGS AND FACILITIES - CHECK LOCAL CODES.**  
Install lavatory 864mm (34") from finished floor.  
Lavatory installed 51mm (2") minimum from front edge of countertop provides 686mm (27") knee clearance area.

0491.027 4" Ctrs Extra Right Hand Hole



0491.035 4" Ctrs Extra Left Hand Hole



NOTES:

\* DIMENSIONS SHOWN FOR LOCATION OF SUPPLIES AND "P" TRAP ARE SUGGESTED.  
FOR COUNTERTOP CUTOUT AND INSTALLATION INSTRUCTIONS USE TEMPLATE SUPPLIED WITH SINK.  
FITTINGS NOT INCLUDED WITH FIXTURE AND MUST BE ORDERED SEPARATELY.  
SEALING COMPOUND SUPPLIED BY OTHERS.

**IMPORTANT:** Dimensions of fixtures are nominal and may vary within the range of tolerances established by ANSI Standard A112.19.2. These measurements are subject to change or cancellation. No responsibility is assumed for use of superseded or voided pages.



MEETS THE AMERICANS WITH DISABILITIES ACT GUIDELINES AND ANSI A117.1 ACCESSIBLE AND USABLE BUILDINGS AND FACILITIES - CHECK LOCAL CODES.

Install lavatory 864mm (34") from finished floor.  
Lavatory installed 51mm (2") minimum from front edge of countertop provides 686mm (27") knee clearance area.